

## **NOTICE:**

**Prices and availability are subject to change without notice.**

**Please contact Marlin Manufacturing before ordering for updated pricing.**

# CONNECTORS MINI PLUGS AND JACKS

ACTUAL SIZE



## MINI PLUG AND JACKS

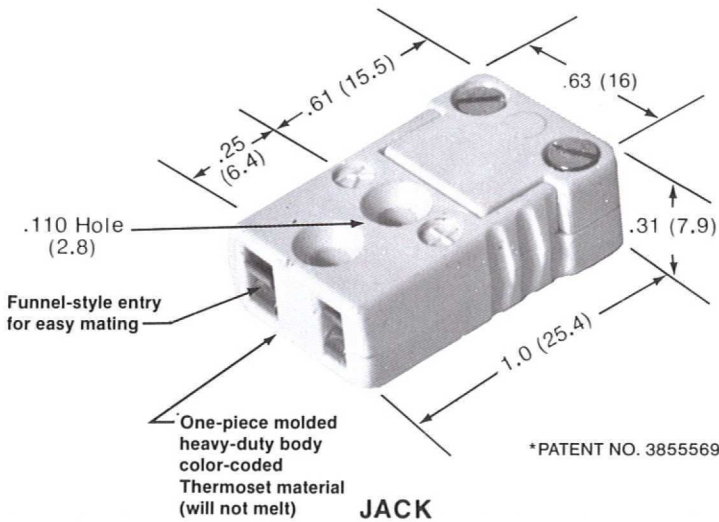
Miniature plugs and jacks provide dependable, quick connections and easy installation of fine thermocouple wire and sheath. Accepts wire from .001" diameter to 24 gauge.

Polarized pins make it virtually impossible to mismatch. Large double wipe jack inserts assure tight grip and low signal loss. Due to exclusive isolated screw design, contact is all thermocouple alloy from wire entrance to wire exit. ANSI calibration symbol and polarity symbol are molded on connector face. Surface mounting and stacking made easy by molded-in clearance holes.

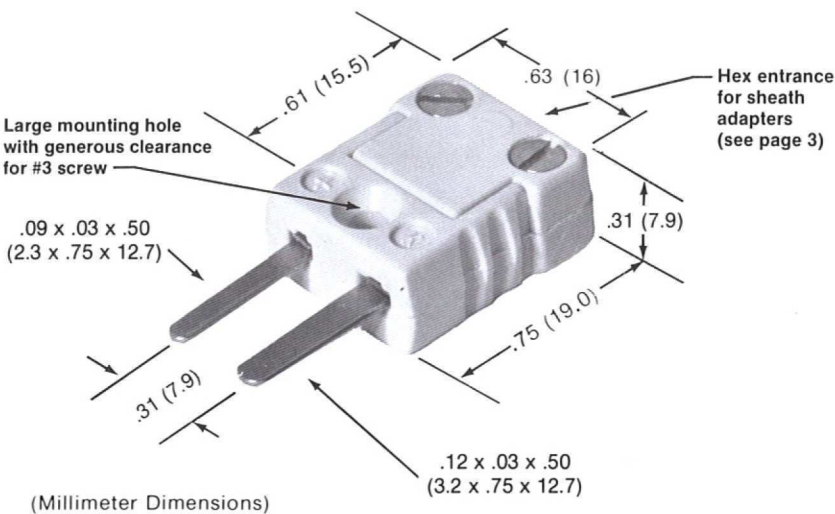
Mini-connectors are molded from glass filled, high strength, thermoset compounds that will not melt. Mini-connectors are color coded and can be used in ambient temperatures to 400°F (205°C) continuous and 500°F (260°C) intermittent. Hi-Temp Mini connectors are colored red and can be used to 800°F (425°C) continuous and 1000°F (540°C) intermittent.

Exclusive Jab-In® terminals require only 1/4" of insulation removed. Wire is sandwiched between contacts of thermocouple alloy without damage. Looped wire ends are eliminated. Simple two-piece construction. Removable cap with semi-captive screws exposes terminals without loose parts falling out. Elastomer bushing provides wire strain relief. Braze-on sheath adapters are brazed or soldered to sheath. Crimp-on adapters are crimped on sheath using crimp tool. Bushings and adapters are locked into connector by cap.

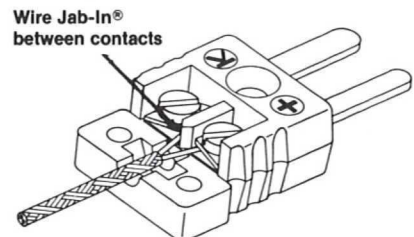
For corrosive applications, gold plated contacts are available. Caution — system errors can result from use of plated contacts if significant thermal gradient exist at connector.



JACK



PLUG



# CONNECTORS MINI PLUGS AND JACKS

MINI PLUGS AND JACKS			400°F Continuous Ambient			800°F Continuous Ambient			
THERMOCOUPLE TYPE	TYPE CODE	COLOR	PLUG CODE NO.	JACK CODE NO.	DISCOUNT SCHEDULE	COLOR	HI TEMP PLUG CODE NO.	HI TEMP JACK CODE NO.	DISCOUNT SCHEDULE
Iron Constantan	J	Black				Red			
Copper Constantan	T	Blue				Red			
Chromel™ Alumel™	K	Yellow				Red			
Nicrosil Nisil	N	Orange	1260-( )	1210-( )	A	Red	1360-( )	1310-( )	B
Chromel™ Constantan	E	Violet	TYPE Code ↑	TYPE Code ↑		Red	TYPE Code ↑	TYPE Code ↑	
Platinum 10% Rhodium	S	Green	\$2.65	\$3.30		Red	\$4.25	\$5.25	
Platinum 13% Rhodium	R	Green				Red			
Uncompensated (CU)	U	White				Red			
Tungsten 5% Re/W26% Re	C	Brown	\$3.65	\$4.30	B	Red	\$5.25	\$6.25	B

1.) Gold plated contacts are available at \$1.00 added to list price. Use suffix "G" (i.e. 1260-K-G)

Grommet Wire Grip			
Code No.	Size	\$/Each	Discount Schedule
1279-030	.030"	0.15	A
1279-062	.062"	0.15	
1279-090	.090"	0.15	

Option 1: Grommet is furnished with each connector at no cost. Give part number of desired size otherwise 1279-062 is furnished as the standard package.

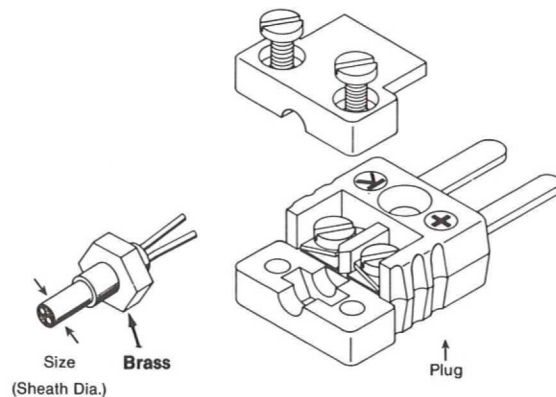
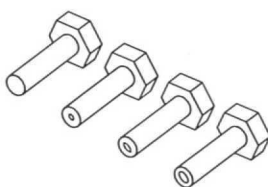
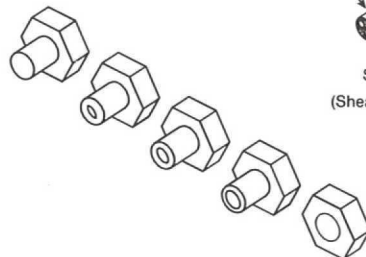
Mini Braze-on Adapter			
Code No.	Size	\$/Each	Discount Schedule
1277-000	blank	0.30	A
1277-040	.040"	0.30	
1277-062	.062"	0.30	
1277-090	.090"	0.30	
1277-125	.125"	0.30	

Option 2: Braze-on Adapter is furnished with each connector at no cost instead of grommets specified. Give part number of desired size.

Mini Hex Crimp Adapter			
Code No.	Size	\$/Each	Discount Schedule
1275-000	blank	0.40	A
1275-020	.020"	1.30	
1275-040	.040"	0.40	
1275-062	.062"	0.40	

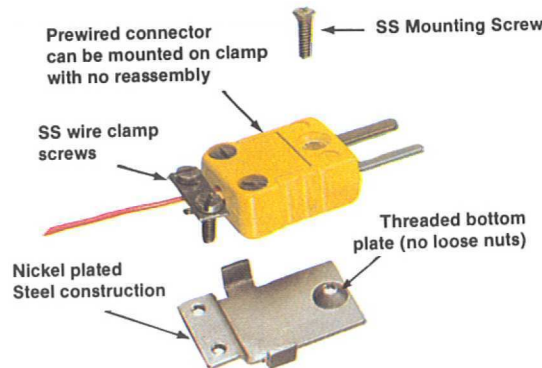
Mini 2-Pole Crimp Adapter			
Code No.	Size	\$/Each	Discount Schedule
1274-040	.040"	1.75	B
1274-062	.062"	1.75	
1274-125	.125"	1.75	

Mini Wire Clamp		
Code No.	\$/Each	Discount Schedule
1280	1.25	B



DISCOUNT SCHEDULE "A"	
QUANTITY	FACTOR
1-14	NET
15-49	.90
50-99	.85
100-249	.80
250-499	.75
500-999	.70
1000-1999	.65
2000+	.60

DISCOUNT SCHEDULE "B"	
QUANTITY	FACTOR
1-14	NET
15-49	.90
50-99	.85
100-249	.80
250+	.75



**MINI WIRE CLAMP**  
Strain relieves fine wire as well as heavy insulated wire.

